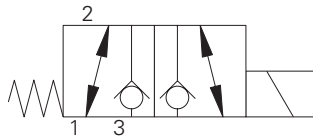


# S229 - Solenoid valve

Poppet type, 3-way, 2-position  
Up to 12L/min (3.2 USgpm) • 210 bar (3000 psi)

A



## Operation

In the de-energized condition port 3 is blocked and port 2 is open to port 1. When energized port 3 is open to port 2 and port 1 is blocked.

## Performance data

### Ratings and specifications

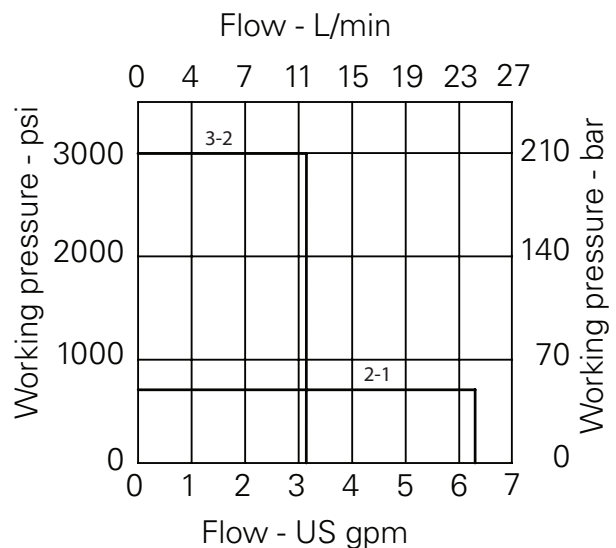
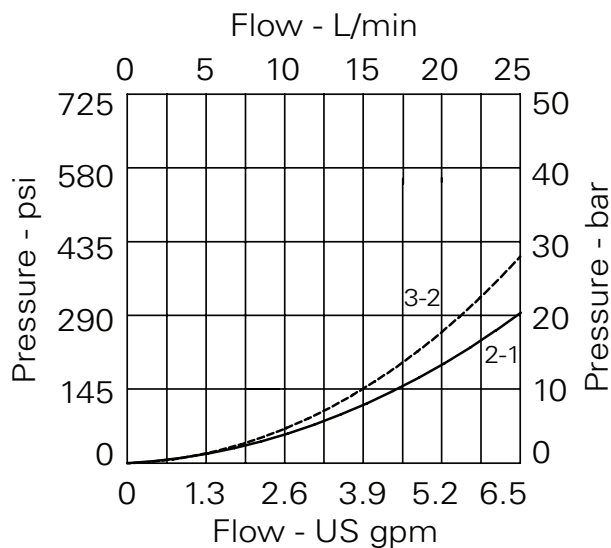
Figures based on Viscosity 32 cST (150 SSU)

Actuator port location	Port 2
Max working pressure	210 bar (3000 psi)
Rated flow	See performance graphs
Nominal flow at $\Delta P = 5$ bar (70 psi)	10 L/min (2.6 USgpm)
Internal leakage	Less than .6 ml/min (10 dpm)
Temperature range	-30° to 120°C (-22° to 248°F)
Cavity	A3531 (see Section M)
Electrical data	See coil data sheet
Torque cartridge into cavity	30 Nm (22 lbs ft)
Mounting position	Unrestricted
Fluids	All general purpose hydraulics fluids such as: MIL-H-5606, SAE 10, SAE 20, etc
Seal material	Standard nitrile with PTFE back up rings
Filtration	BS5540/4 Class 18/13 (25 micron or better)
Nominal viscosity range	15 to 250 cSt
Standard housing materials	Aluminium Alloy
Coil weight	0.3 kg (0.6 lbs)
Cartridge weight	0.13 kg (0.3 lbs)
Seal kit	SK119 (Nitrile) SK119V (Viton®)
Coil part number	C16-*/29
Coil voltage available	12, 24 VDC, 110, 220, VAC*

Viton is a registered trademark of E.I. DuPont

\*AC coils must be used with a rectifying connector

## Pressure drop

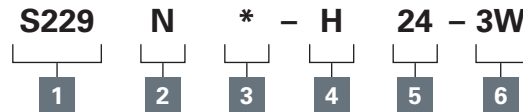


Where measurements are critical request certified drawings. We reserve the right to change specifications without notice.

# S229 - Solenoid valve

3-way, 2-position poppet type solenoid valve  
Up to 12L/min (3.2 USgpm) • 210 bar (3000 psi)

## Model code



### 1 Function S229

### 2 Seal material

**N** - Nitrile

**V** - Viton®

### 3 Manual Override

**2** - Screw

**3** - Push

(Consult factory for availability).  
See page A-960.

### 4 Coil Termination

**H** - DIN43650

**F** - Flying lead

**DM** - Deutsch moulded

Other terminations available  
on request.

### 5 Voltage

**12** - 12 VDC

**24** - 24 VDC

**110** - 110 VAC

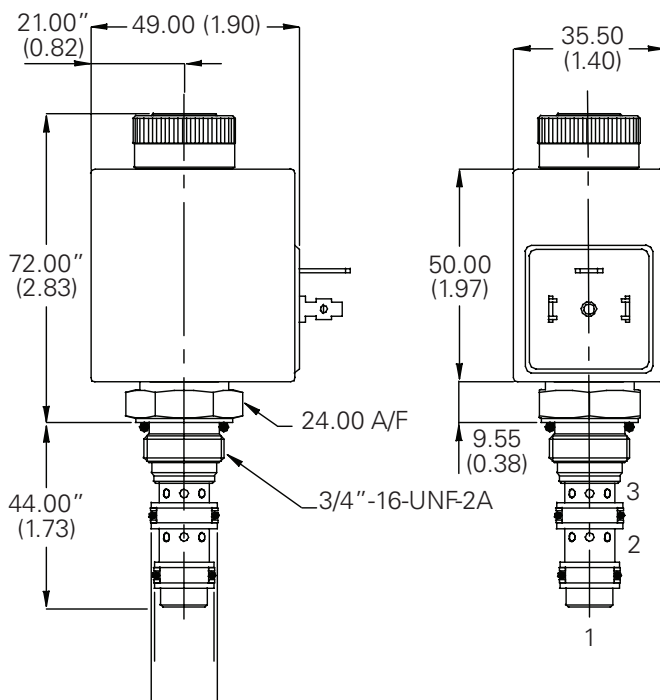
**220** - 220 VAC

### 6 Port size

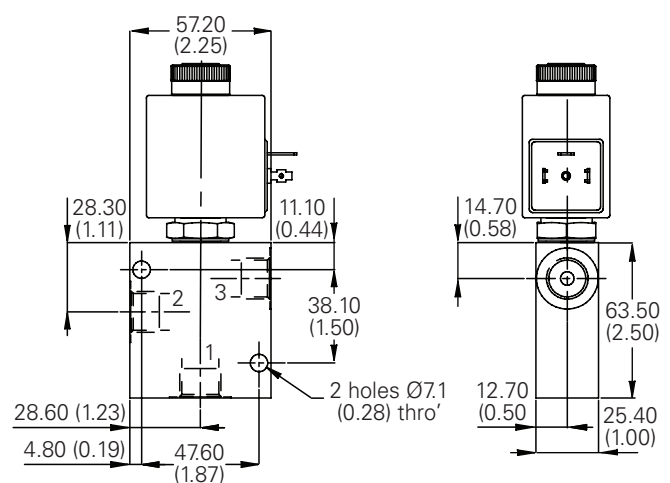
Code	Port size	Housing number - body only
<b>Aluminium</b>		
<b>2W</b>	1/4" BSP	B7724
<b>3W</b>	3/8" BSP	B6684
<b>6T</b>	3/8" SAE	B6516

## Dimensions - mm (inch)

### Cartridge only Basic Code S229



### Installation drawing



Where measurements are critical request certified drawings. We reserve the right to change specifications without notice.